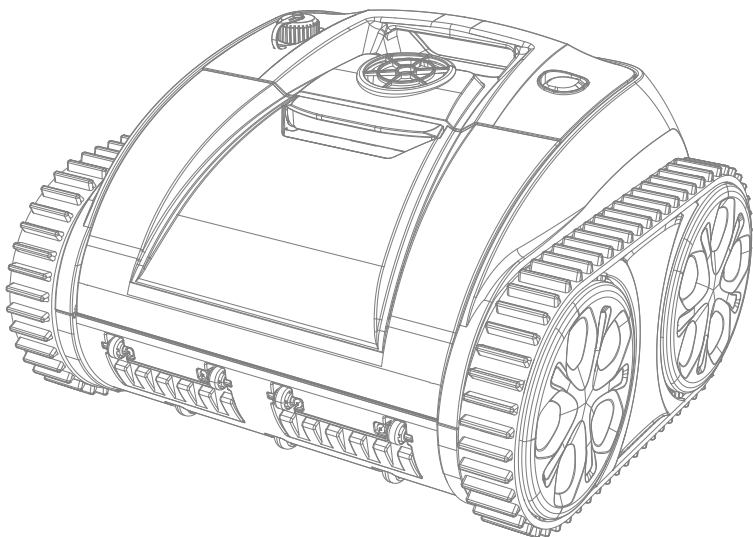


AQUACLEAN

CORDLESS ROBOTIC POOL CLEANER

Cordless Robotic Pool Cleaner Owner's Manual

AC1000 PRO



Read through the entire manual before running your new AquaClean cordless robotic pool cleaner, and keep this manual handy for future reference.

Thank you for purchasing the AquaClean® Cordless Robotic Pool Cleaner!

The AquaClean Robotic Pool Cleaner is designed to deliver high efficiency, low power consumption, easy operation, and thorough pool cleaning. Its distinctive appearance and reliable features, including one-button activation, powerful suction and scrubbing, fine filtration, smart navigation, and compatibility with various pool shapes and construction materials, ensure convenient, intelligent, and optimal pool cleaning performance.

Please read through the entire manual before using your new cordless robotic pool cleaner. We are not responsible for any loss or injury caused by improper use. If you encounter a problem with your AquaClean® product, please contact our customer service for assistance.

AquaCal AutoPilot, Inc. Customer Service:

Email: customersupport@aquacal.com

Web: www.AquaCal.com

CONTENTS

Important Precautions	01
Product Overview	03
Charging Instructions	04
Setting Up	05
Running the Device	06
Cleaning the Filter	07
Device Specifications	08
Device Maintenance	09
FAQ & Troubleshooting	09
Troubleshooting Chart	10
Floating Block Installation	11



IMPORTANT PRECAUTIONS READ AND FOLLOW ALL DIRECTIONS

- Follow all state, local, and National Electrical Code(s) (provincial and Canadian Electrical Code(s) if applicable) unless local guidelines supersede.
- For personal safety, and to avoid damage to equipment, follow all safety instructions displayed on the equipment and within this manual.
- Repair and service of your AquaClean® cleaner must be performed by qualified service personnel only. Failure to properly operate, maintain or repair the AquaClean® cleaner will void the factory warranty.



WARNING - Failure to heed the following may result in permanent injury or death.

- **RISK OF ELECTRICAL SHOCK** - The unit must be connected only to a supply circuit that is protected by a ground-fault circuit-interrupter (GFCI). The GFCI must be tested on a routine basis. To test, push the GFCI test button. Power should be interrupted. Push the reset button. Power should be restored. If the GFCI fails to operate in this manner, it is defective.
- **RISK OF ELECTRICAL SHOCK** - If the ground-fault circuit-interrupter (GFCI) interrupts power to the equipment without the test button being pushed, a ground current is flowing with a possibility of an electrical shock. Do not use equipment. Disconnect the equipment and have the problem corrected by a qualified service representative before using.
- **RISK OF ELECTRICAL SHOCK** - To reduce the risk of electrical shock, do not use the charger if the cord is damaged.
- **PERSONAL SAFETY HAZARD** – To reduce the risk of injury, do not permit children to operate this device. Never allow children to ride on the cleaner or play with it as a toy.
- **RISK OF CHILD DROWNING OR INJURY** - Children must be closely supervised at all times around pool or spa equipment.
- **PERSONAL SAFETY HAZARD** – Do not operate the cleaner when there are people in the pool.
- **PERSONAL SAFETY HAZARD** – Do not charge the cleaner if the environment is above 95° F (35° C) or below 41° F (5° C)

 CAUTION - Failure to heed the following may result in equipment damage.

- Use the accessories recommended or sold by the manufacturer only.
- Dry the charging port after removing the cleaner from out of the water. Ensure the cleaner is switched off (the indicator should be off) before charging.
- Use the original and authorized power charger only. Do not charge any other devices with this charger.
- Do not charge the cleaner if the environment is above 95° F (35° C) or below 41° F (5° C)
- Do not overcharge the cleaner as it will reduce the life of the battery.
- Do not power on the cleaner when it is out of the water.
- Always clean and wash the filter basket after each use.
- Do not use a pool cleaner on newly plastered pools, as wheels can leave track marks if the surface is not adequately cured. Consult your pool professional for instructions on when to use this cleaner on newly plastered surfaces.
- Only qualified service professionals should disassemble the sealed drive kit of the cleaner. Warranties will be voided if the cleaner has been improperly installed. Failure to properly operate, maintain or repair the AquaClean® cleaner will void the factory warranty.

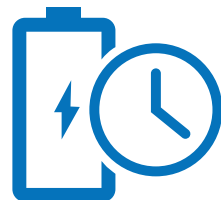
Only use the pool cleaner under the specified water conditions:

Chlorine	Max 4 PPM
pH	7.0 - 7.8 PPM
Temperature	41 - 95 F (5 - 35 C)
NaCl	Maximum = 5000 PPM

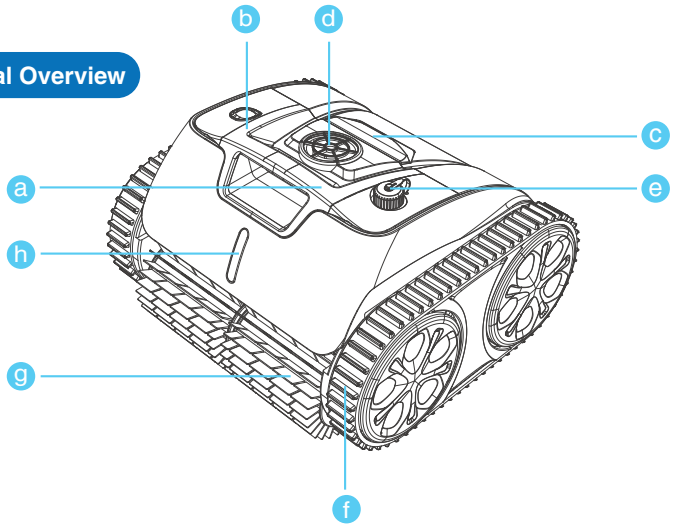
SAVE THESE INSTRUCTIONS

Do not over-charge the cleaner. This will reduce the battery life.

If the cleaner will be stored for more than (6) months, it should be fully charged prior to storage.



Product External Overview



a HANDLE
Use to remove and transport the device easily.

b ON/OFF BUTTON
Turn on/turn off the device.

c FILTER COVER HANDLE
Hold and press to open the cover.

d PUMP
Vacuums debris and pumps out water.

e CHARGING PORT
Connect the charger.

f TRACK
Enhance device's capability in climbing walls and various obstacles.

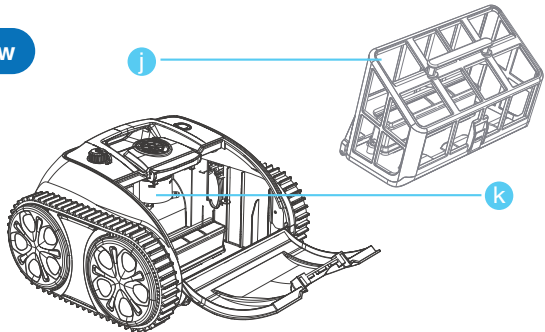
g SCRUBBING BRUSH
Use to loosen dirt and debris, then roll them into the device.

h LED INDICATOR
Different light colors to indicate device status.

Product Internal Overview

j FILTER BASKET
Stores collected dirt and debris. Wash after each use.

k SEALED PART
Important components are sealed there. For your safety, do not try to disassemble it.

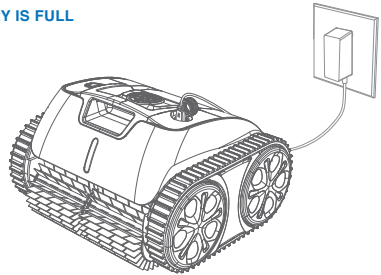
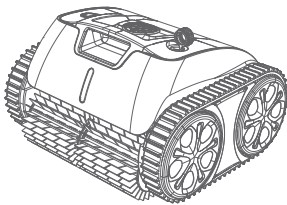


Charge your new AquaClean Robotic Pool Cleaner

The device has a lithium-ion rechargeable battery. Charge the battery before first use and when the battery is low. Connect your device to a power outlet using the included cable and adaptor.

 CHARGING IN PROGRESS

 BATTERY IS FULL



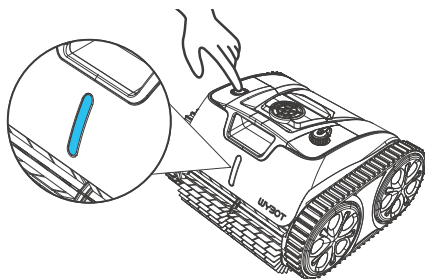
- For your safety, ensure the device is powered off and the charging socket is dry before charging.
- Keep your device and adaptor away from direct sun or water when charging.

NOTE:

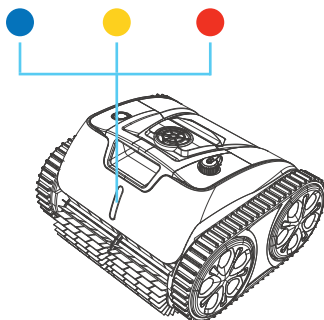
1. When charging, maintain a distance of at least 3m (approximately 10ft) between the device and the pool edge.
2. The best charging environment temperature is 32°F - 95°F (0°C - 35°F), RH at 5% - 95%.

Set up your new AquaClean Robotic Pool Cleaner

Turn on the device by pressing the on/off button. The LED indicator on the front will display a solid blue ● when the device is on.



Below is the LED indicator guide to help you understand the device's different status.



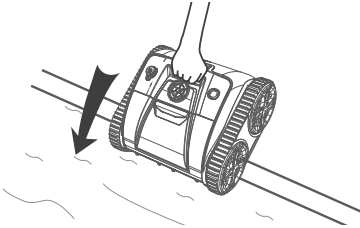
LED Light	Indication	Status
●	Solid	Power On
	Flashing	Operating
●	Flashing	Low battery or under self-parking in the pool
	Fading (bright to dim)	Self-parking completion
●	Solid or Flashing	Fault

NOTE:

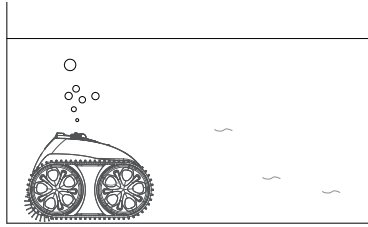
1. When yellow light flashing, you should remove your device out of water and charge it.
2. If red LED light is on, check page 10 for troubleshooting chart.

Run your new AquaClean Cordless Robotic Pool Cleaner

Turn on the device, hold the handle of the cleaner and place it into the pool vertically.

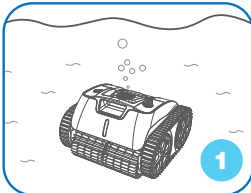


Let it sink down to the floor to empty trapped air inside.

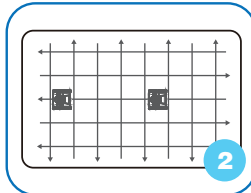


NOTE:

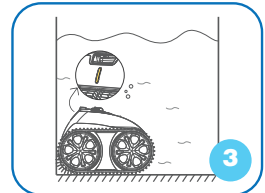
To achieve an optimal cleaning performance, you should ensure the water depth of the pool is at least 19.5 in (50 cm) high from the top of the device.



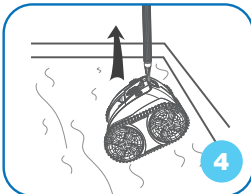
Turn on the device, hold the handle of the cleaner and place it into the pool vertically.



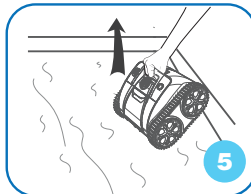
The cleaner will start cleaning the walls, floor, and waterline.



Depending on the battery charge, the device will automatically move to stop by the edge of the wall when finishing cleaning.



Use the provided hook to retrieve the cleaner from the pool by inserting it into a pool rod.

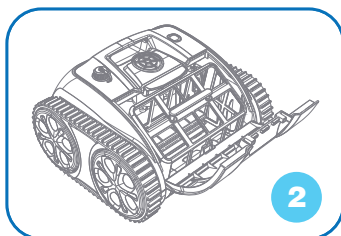
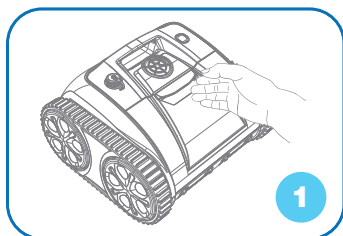


When removing the cleaner from the pool, lift it vertically to drain any water inside.

Do a Filter Cleaning

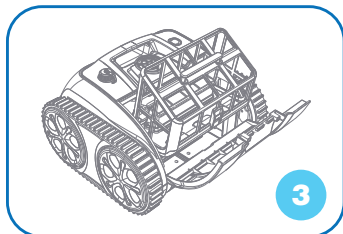
CAUTION - Failure to heed the following may result in equipment damage. Do not attempt to clean the filter while the unit is in the pool.

Hold the filter cover handle, press and open it.

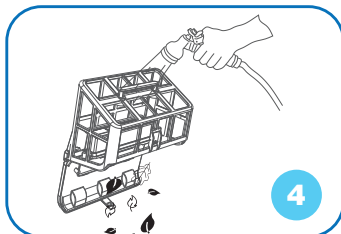


NOTE:

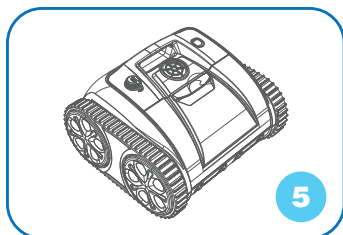
1. Ensure the device is powered off before opening the top cover.
2. Clean the filter basket before allowing it to dry.



Take out the filter basket.



Empty all debris and rinse it with clean water.



After rinsing, put the filter basket into the cleaner and close the cover.

DEVICE SPECIFICATIONS

Model	AquaClean® AC1000 Pro
Rated Working Voltage	10.8V
Power	65W
Run Time	Max. 110min for one cycle
Charger Input	100-240V, 50-60Hz
Charger Output	5A
Battery Capacity	9200mAh
Charging Time	3-4 hours
Pool Size	Up to 1300 ft ² / 120 m ²
Flow Rate	approx. 2642gal/h (10m ³ /h)
Filter Density	180 µm
Moving Speed	approx. 36 ft/min (11 m/min)
Waterproof Grade	IPX8
Charging Environment Temperature	41° F - 95° F (5° C - 35° C)
Max Water Depth	9.8 ft (3 m)
Product Size	14.6(L)*14.1(W)*9.4(H) inches 372(L)*360(W)*240(H) mm
Weight	16.53 lbs (7.5 kg)

NOTE: Chargers may vary, both are certified by authorization.

HOW TO MAINTAIN YOUR DEVICE

To maintain optimal performance of your cleaner, follow these steps for storage:

- a. Always ensure the device is powered off before performing maintenance.
- b. Thoroughly dry the cleaner and filter basket.
- c. Fully charge the battery.
- d. Store the cleaner in a cool, well-ventilated area away from direct sunlight, heat sources, and frost. The ambient temperature should range between 5°C/41°F and 45°C / 113°F.
- e. Charge the cleaner every three months to preserve battery life.

FAQ & TROUBLESHOOTING

Q: Which pool shapes and construction materials is the cleaner suitable for?

A: The AquaClean is compatible with rectangle, oval, or irregular shapes of in-ground swimming pools. It works well with construction materials such as PVC, cement, and other high-friction materials.

Q: Will obstacles such as steps, shallow water areas, drains, and slopes affect the cleaner's operation in the swimming pool?

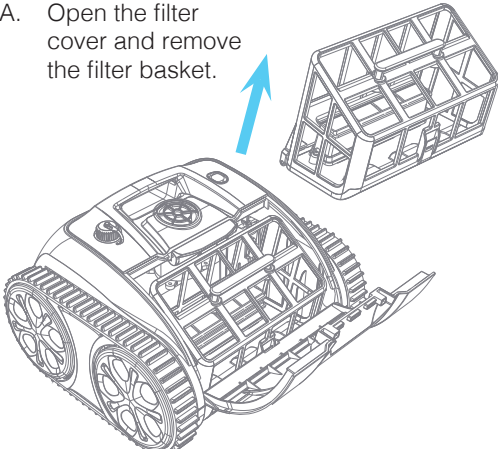
A: The AquaClean is designed to handle obstacles like steps, drains, and shallow water areas. While these obstacles may alter its cleaning path, they won't disrupt its operation.

No.	Issue	Details	Possible Causes	Suggested Solution
1	Device does not work	A solid red light	Impeller is stuck	Check the impeller and remove any foreign objects
		A flashing red light	Motor protection	Restart
		A flashing red light	The device is out of the water or the pool water is too shallow	Restart and place it into the pool immediately. Be sure the water depth is over 1.64 feet or .5 meters
		A fading yellow light	Battery low	Fully charge the device and restart
2	Unable to charge	Charger light flashes	Poor contact	Re-plug the charger
3	Doesn't climb walls	N/A	Slippery construction materials	Stick adhesive blocks
4	Abnormal wall climbing	Climbing Slowly	Filter basket blocked	Clean the filter basket
		Sinking down away from wall or floating on the water	Intake air Filter basket blocked	Stick balance weight Clean the filter basket
5	Front side up while cleaning floor	N/A	Filter basket blocked	Clean the filter basket
6	Stuck at water drains	N/A	Drain height is over 1.18 in / 3cm	Help the AquaClean away from the obstacle

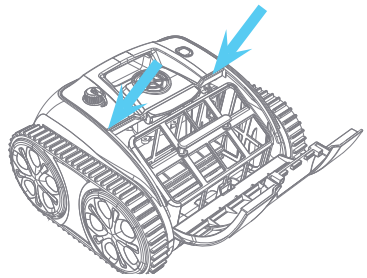
Floating Block Installation

Attention: The following diagrams are limited to use of the floating blocks when the robot cannot climb the pool walls. **If your cleaner is performing well, please bypass these instructions.**

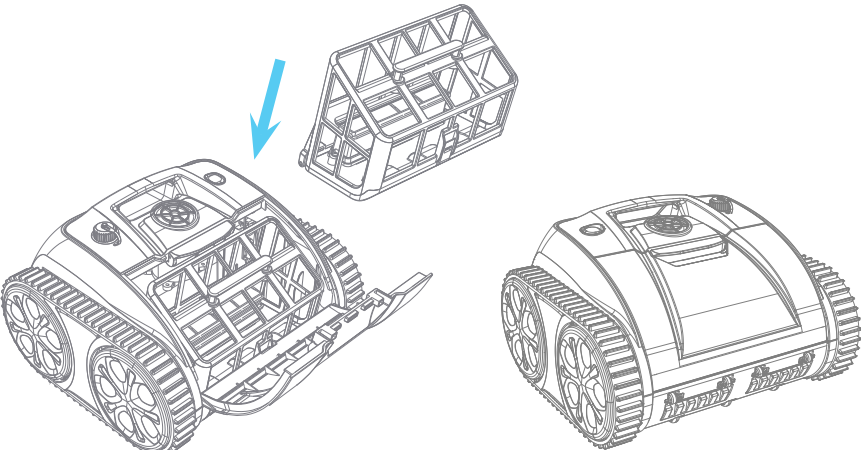
- A. Open the filter cover and remove the filter basket.



- B. Remove the protective film from the back of the floater and apply according to the positions shown in the figure below.

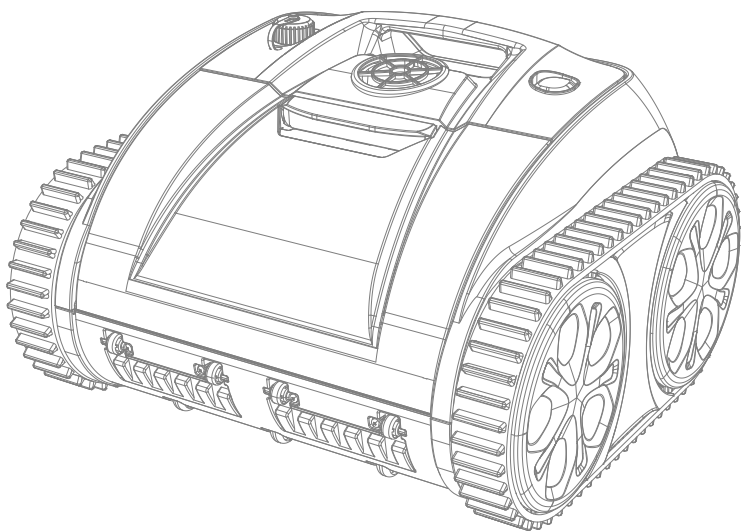


- C. Replace the filter basket and close the filter cover.



Contact AquaCal® AutoPilot®
customer service about your
warranty at
+1 727.823.5642

AQUACLEAN
CORDLESS ROBOTIC POOL CLEANER



AquaCal AutoPilot, Inc • 2737 24th Street North, St. Petersburg, FL 33713, USA • +1 727.823.5642

AQUACLEAN

CORDLESS ROBOTIC POOL CLEANER

